

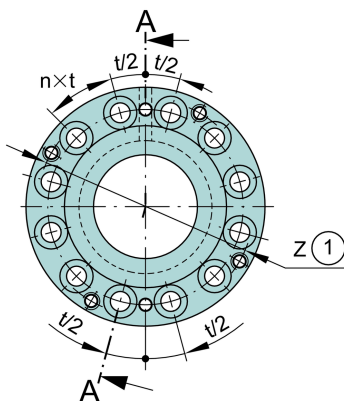
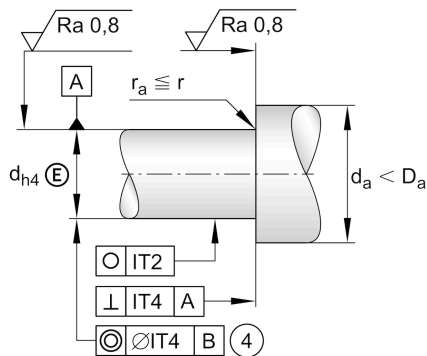
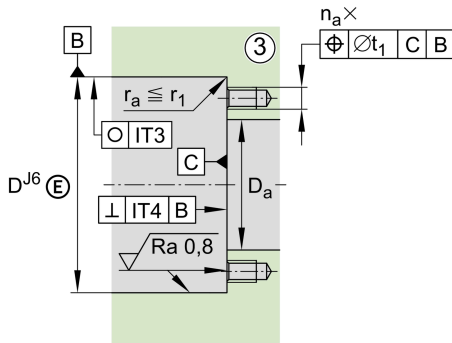
## ZARF2068-TV

### Needle roller/axial cylindrical roller bearing

Schaeffler ID:  
0016819660000

Needle roller/axial cylindrical roller bearings ZARF, double direction, for screw mounting

#### Technical information

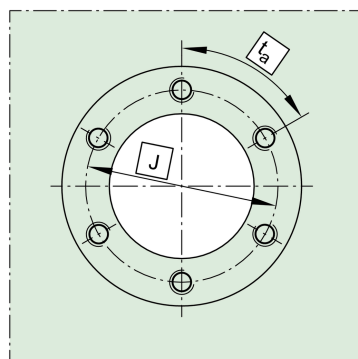
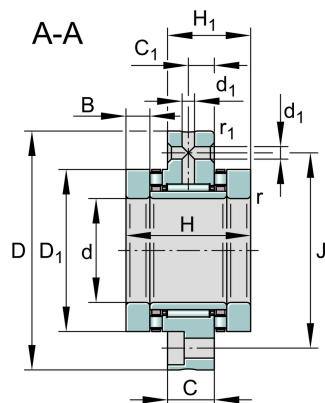


#### Main Dimensions & Performance Data

d	20 mm	Bore diameter
D	68 mm	Outside diameter
H	46 mm	Height
$C_r$	14,900 N	Basic dynamic load rating, radial
$C_{0r}$	22,400 N	Basic static load rating, radial
$C_a$	33,500 N	Basic dynamic load rating, axial
$C_{0a}$	76,000 N	Basic static load rating, axial
$C_{ur}$	3,400 N	Fatigue load limit, radial
$C_{ua}$	6,400 N	Fatigue load limit, axial
$n_{G \text{ Grease}}$	2,000 1/min	Limiting speed for grease lubrication
$n_{G \text{ Oil}}$	7,000 1/min	Limiting speed for oil lubrication
$M_{RL}$	0.5 Nm	Bearing friction torque
	0.495 kg	Weight

#### Dimensions

$H_1$	29 mm	Height outer ring over wave washer
$c_{aL}$	1,800 N/μm	Rigidity axial
$c_{kL}$	230 Nm/mrad	Tilting stiffness
C	14 mm	Width, outer ring
	1 μm	Axial runout
$C_1$	8 mm	Distance to lubrication hole
$D_1$	42 mm	Rip diameter shaft washer
$M_A$	18 Nm	Tightening torque nut
	8,972 N	Preload force axial
B	10 mm	Width, inner ring
$r_{min}$	0.3 mm	Minimum chamfer dimension
$r_{1 min}$	0.6 mm	Minimum chamfer dimension
$d_1$	3.2 mm	Diameter lubrication hole
J	53 mm	Pitch circle diameter (holes)
$n \times t$	45 °	Split
$t_1$	0.1 mm	Position bore in the housing



**Mounting dimensions**

$D_{a \max}$	43 mm	Maximum diameter of housing shoulder
$d_{a \min}$	33 mm	Minimum diameter shaft shoulder
	ZMA20/38	Locknut 1
	AM20	Locknut 2
n	8	Number (screwing holes)
	M6	Screw size
$M_M$	0.615 kg * cm <sup>2</sup>	Mass moment of inertia
n	8	Number of screws
na x ta	45 °	Division (screwing holes)